

ELECTRIC VEHICLE SMART CHARGING SYSTEM

Outdoor electric vehicle charging

RVE2-P, Outdoor slow charging posts - mode 1, mode 3.....	166
RVE-QPC, Compact ultra-fast charging stations, mode 4.....	166





Indoor electric vehicle charging

eHOME, car park boxes, mode 3	167
RVE-WB, Car park boxes	167

Accessories

RVE-TERM / RVE-CARD, Prepayment system	168
--	-----

OUTSTANDING PRODUCTS

RVE2-P	RVE-QPC	eHOME	RVE-WB-TOUCH
			
charging post	Ultra-fast charging station	Wall boxes	Wall boxes
page 166	166	167	167



Outdoor electric vehicle charging

RVE2-P, Outdoor slow charging posts - mode 1, mode 3



Type	Code	Connector type	Communications	Charging points	kW
RVE2-PM1	[c] V10410	Schuko	Ethernet	2	2 x 3,6 kW
RVE2-PM3	[c] V10415	Type II	Ethernet	2	2 x 3,6 kW (Single-phase)
RVE2-PM-MIX	[c] V10420	Schuko + Type II	Ethernet	2	2 x 3,6 kW (Single-phase)
RVE2-PT3	[c] V10425	Type II	Ethernet	2	2 x 22 kW (Three-phase)
RVE2-PT-MIX	[c] V10430	Schuko + Type II	Ethernet	2	1 x 3,6 kW + 1 x 22
RVE2-PM1 3G	[c] V10440	Schuko	Ethernet + 3G	2	2 x 3,6 kW
RVE2-PM3 3G	[c] V10445	Type II	Ethernet + 3G	2	2 x 3,6 kW (Single-phase)
RVE2-PM-MIX 3G	[c] V10450	Schuko + Type II	Ethernet + 3G	2	2 x 3,6 kW (Single-phase)
RVE2-PT3 3G	[c] V10455	Type II	Ethernet + 3G	2	2 x 22 kW (Three-phase)
RVE2-PT-MIX 3G	[c] V10460	Schuko + Type II	Ethernet + 3G	2	1 x 3,6 kW + 1 x 22

Energy metering, IP communications, internal memory, RFID reader, display and electrical protection elements. Lit status display
Polyurethane casing and IP 55 protection. Has 2 independent doors.

RVE-QPC, Compact ultra-fast charging stations, mode 4



Type	Code	Charging points	Outputs	Connectors
RVE-QPC-CH-CCS	[c] V15155	2	50 kW (Combo-2, Modo 4) 50 kW (Chademo, Modo 4)	Combo-2 Chademo-JEVS G105
RVE-QPC-CH-CCS-AC63	[c] V15160	3	50 kW (Combo-2, , Modo 4) 50 kW (Chademo, Modo 4) 43 kW (max. 63 A-Modo 3)	Combo-2 Chademo-JEVS G105 Tipo 2

Indoor electric vehicle charging

eHOME, car park boxes, mode 3

NEW



Type	Code	Connector type	V, A, kW	Charging mode	Charging points
eHOME T2C16	[3] V23515	Cable+Type II	230V, 16 A, 3,6 kW	3	1
eHOME T2C32	[3] V23510	Cable+Type II	230V, 32 A, 7,2 kW	3	1
eHOME T1C16	[3] V23520	Cable+Type I	230V, 16 A, 3,6 kW	3	1
eHOME T1C32	[3] V23525	Cable+Type I	230V, 32 A, 7,2 kW	3	1

RVE-WB, Car park boxes

NEW



Type	Code	RFID, reader energy meter display	Charging points	V, A, kW	Charging mode	Connector type	Comunic.	Internal memory
RVE-WBM	[3] V23010	-	1	230Vac -32A-7,2kW 400Vac -32A-22kW	3	Type II	-	-
RVE-WBM-Smart	[3] V23015	yes	1	230Vac -32A-7,2kW	3	Type II	Ethernet	yes
RVE-WBM-Smart-TRI	[3] V23025	yes	1	400V, 32A, 22kW	3	Type II	Ethernet	yes
RVE-WBM-TOUCH-TRI	[3] V23045	yes	1	400V, 32A, 22kW	3	Type II	Ethernet	yes
RVE-WBMC	[3] V23030	-	1	230Vac -32A-7,2kW 400Vac -32A-22kW	3	Cable(*) +Type II	-	-
RVE-WBMC-SMART	[3] V23032	yes	1	230Vac -32A-7,2kW	3	Cable(*) +Type II	Ethernet	yes
RVE-WBMC-SMART-TRI	[3] V23035	yes	1	230Vac -32A-7,2kW 400Vac -32A-22kW	3	Cable(*) +Type II	Ethernet	yes
RVE-WBMC-TOUCH-TRI	[3] V23050	yes	1	230Vac -32A-7,2kW 400Vac -32A-22kW	3	Cable(*) +Type II	Ethernet	yes
RVE-WBC	[3] V23110	-	1	230V, 16A, 3.6kW	3	Cable(*) +Type I	-	-
RVE-WBC-32	[3] V23111	-	1	230V, 32A, 7.2kW	3	Cable(*) +Type I	-	-
RVE-WBC-Smart	[3] V23115	yes	1	230V, 16A, 3.6kW	3	Cable(*) +Type I	Ethernet	yes
RVE-WBC-Smart-32	[3] V23116	yes	1	230V, 32A, 7.2kW	3	Cable(*) +Type I	Ethernet	yes
RVE-WBC-TOUCH	[3] V23125	yes	1	230V, 16A, 3.6kW	3	Cable(*) +Type I	Ethernet	yes
RVE-WBC-TOUCH-32	[3] V23126	yes	1	230V, 32A, 7.2kW	3	Cable(*) +Type I	Ethernet	yes
RVE-WB-MIX	[3] V23310	-	2	2 x 230V, 16A, 3.6kW	3, 1, 2	Type II + Schuko	-	-
RVE-WB-MIX-CP1	[3] V23312	yes	2	2 x 230V, 16A, 3.6kW	3, 1, 2	Type II + Schuko	RS-485	-
RVE-WB-MIX-CP1-TRI	[3] V23322	yes	2	400V, 32A, 21kW 230V, 16A, 3.6kW	3, 1, 2	Type II + Schuko	RS-485	-
RVE-WBS-Smart	[3] V23215	yes	1	230V, 16A, 3.6kW	1, 2	Schuko	Ethernet	yes
Support cable	[3] V23199	cable support						

(*) cable Support, 4 m of cable. Connector type 2, direct car side, according IEC 61196-2

(**) cable Support, 5 m of cable. Connector type 1 SAE J-1772, direct car side, according IEC 61196-2

Accessories

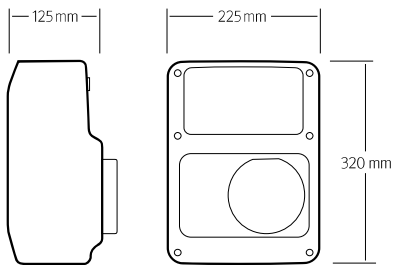
RVE-TERM / RVE-CARD, Prepayment system



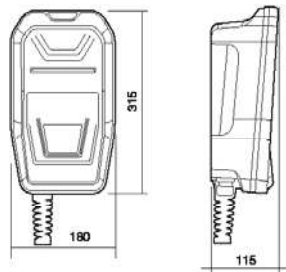
Type	Code	Description
RVE-TERM	[2] V30013	RVE-CARD autonomous card recharging terminal
RVE-CARD	[1] V30012	Proximity card with internal memory to store the user's remaining credit.
Software		
RVE-SOFT	[1] V30014	PC software and USB reader for loading credit

Dimensions

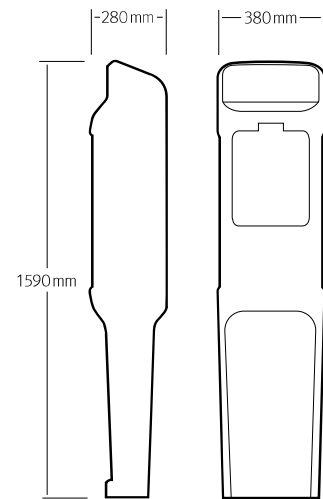
RVE-WB



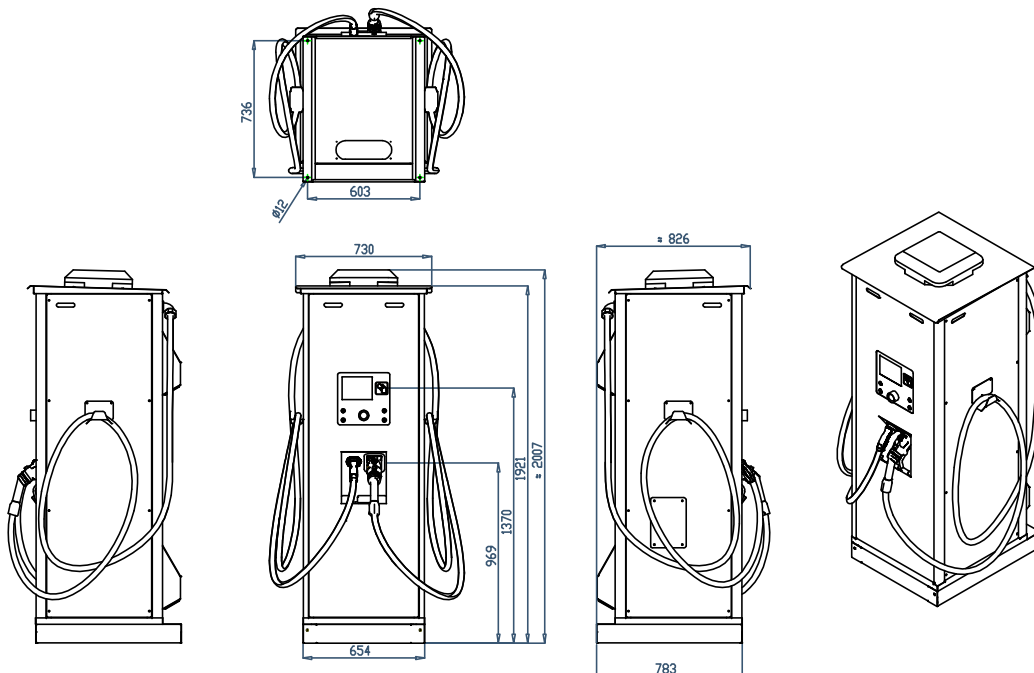
eHome



RVE2-P



RVE-QPC


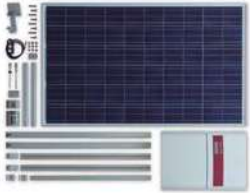




Delivery time: [*] immediate
 [x] working weeks
 [c] consult

RENEWABLE ENERGIES

Instantaneous self-consumption with grid connection	170
CDP, Dynamic Power Controller	170
EFM-CDP, kits of photovoltaic instantaneous self-consumption solutions for buildings/industries (On Grid systems)	170
EFM-CDP, kits of photovoltaic instantaneous self-consumption solutions for residential sector (On Grid systems)	171
PVing PARKS, solar canopy kits for instantaneous self-consumption with no grid injection	172
Self-consumption with energy storage and grid connection	173
CirPower, Hybrid inverters with battery charging	173
EFM-HYB CirPower, kits for systems with or without grid connection	173
Off-grid self-consumption systems	173
EFM-ISLAND, kits for off-grid self-consumption systems	173
String Monitoring devices for photovoltaic systems	174
TR, String monitoring supervision devices	174

OUTSTANDING PRODUCTS

	CDP	EFM-CDP	PVing PARKS	CirPower
				
	Dynamic power controller	Kits for instantaneous self-consumption in installations connected to the grid	Kits for instantaneous self-consumption on solar canopies	Hybrid inverters with battery charging
Page	170	170	172	173

Instantaneous self-consumption with grid connection

CDP, Dynamic Power Controller



Type	Code	Description
CDP-0	[c] E51001	Dynamic power controller, zero injection
CDP-G	[c] E52001	Dynamic power controller with demand management

Requires the use of the MC series current transformers (.../250 mA)

EFM-CDP, kits of photovoltaic instantaneous self-consumption solutions for buildings/industries (On Grid systems)

Type	Code	Network type	PV power (Wp)	Number of inverters	Inverter power (kW)	TOTAL power (kW)
KIT EFM-CDP 8-S	[2] E5K035	Three-phase 3x230/400V	8250	1	8,0	8,0
KIT EFM-CDP 8-S-PRO	[2] E5K036	Three-phase 3x230/400V	9000	1	8,0	8,0
KIT EFM-CDP 10-S	[2] E5K041	Three-phase 3x230/400V	10500	1	10,0	10,0
KIT EFM-CDP 10-S-PRO	[2] E5K042	Three-phase 3x230/400V	11000	1	10,0	10,0
KIT EFM-CDP 15-M	[2] E5K051	Three-phase 3x230/400V	15000	3	5,0	15,0
KIT EFM-CDP 15-M-PRO	[2] E5K052	Three-phase 3x230/400V	16500	3	5,0	15,0
KIT EFM-CDP 20-M	[2] E5K061	Three-phase 3x230/400V	21000	2	10,0	20,0
KIT EFM-CDP 20-M-PRO	[2] E5K062	Three-phase 3x230/400V	22000	2	10,0	20,0
KIT EFM-CDP 24-M	[2] E5K071	Three-phase 3x230/400V	26000	2	12,0	24,0
KIT EFM-CDP 24-M-PRO	[2] E5K072	Three-phase 3x230/400V	28000	2	12,0	24,0
KIT EFM-CDP 30-M	[2] E5K081	Three-phase 3x230/400V	31500	3	10,0	30,0
KIT EFM-CDP 30-M-PRO	[2] E5K082	Three-phase 3x230/400V	33000	3	10,0	30,0
KIT EFM-CDP 40-M-PRO	[2] E5K200	Three-phase 3x230/400V	44000	2	20,0	40,0
KIT EFM-CDP 60-M-PRO	[2] E5K210	Three-phase 3x230/400V	66000	3	20,0	60,0
KIT EFM-CDP 80-M-PRO	[2] E5K220	Three-phase 3x230/400V	88000	4	20,0	80,0
KIT EFM-CDP 100-S-PRO	[2] E5K230	Three-phase 3x230/400V	105000	1	100,0	100,0
KIT EFM-CDP 100-M-PRO	[2] E5K231	Three-phase 3x230/400V	110000	5	20,0	100,0



- The listing and description of the individual devices that make up the photovoltaic kits, their features and manufacturer will only be indicated upon confirming their order.
- The EFM-CDP kits are supplied with the CDP-0 driver.
- The CDP-G driver is only supplied in electric panels and upon request. The code should be chosen by selecting the corresponding figure in the final table, as well as the corresponding protection panel.

EFM-CDP, kits of photovoltaic instantaneous self-consumption solutions for residential sector (On Grid systems)

Type	Code	Network type	PV power (Wp)	Number of inverters	Inverter power (kW)	TOTAL power (kW)
KIT EFM-CDP 1,5-S	[2] E5K011	Single-phase 230V	1250	1	1,5	1,5
KIT EFM-CDP 1,5-S-PRO	[2] E5K012	Single-phase 230V	1750	1	1,5	1,5
KIT EFM-CDP 2,5-S	[2] E5K021	Single-phase 230V	2750	1	2,5	2,5
KIT EFM-CDP 2,5-S-PRO	[2] E5K022	Single-phase 230V	3000	1	2,5	2,5
KIT EFM-CDP 3-S-T	[2] E5K123	Three-phase 3x230/400V	3000 Wp	1	3,0 kW	3,0 kW
KIT EFM-CDP 4,5-M	[2] E5K130	Three-phase 3x230/400V	3750	3	1,5	4,5
KIT EFM-CDP 5-S	[2] E5K031	Single-phase 230V	5000	1	5,0	5,0
KIT EFM-CDP 5-S-PRO	[2] E5K032	Single-phase 230V	5500	1	5,0	5,0
KIT EFM-CDP 5-S-T	[2] E5K131	Three-phase 3x230/400V	5000	1	5,0	5,0
KIT EFM-CDP 5-S-PRO-T	[2] E5K132	Three-phase 3x230/400V	5500	1	5,0	5,0
KIT EFM-CDP 6-M	[2] E5K134	Three-phase 3x230/400V	6750	3	2,0	6,0
KIT EFM-CDP 6-S	[2] E5K033	Three-phase 3x230/400V	6500	1	6,0	6,0
KIT EFM-CDP 6-S-PRO	[2] E5K034	Three-phase 3x230/400V	7000	1	6,0	6,0
KIT EFM-CDP 7,5-M	[2] E5K133	Three-phase 3x230/400V	7500	3	2,5	7,5



- The listing and description of the individual devices that make up the photovoltaic kits, their features and manufacturer will only be indicated upon confirming their order.
- The EFM-CDP kits are supplied with the CDP-0 driver.
- The CDP-G driver is only supplied in electric panels and upon request. The code should be chosen by selecting the corresponding figure in the final table, as well as the corresponding protection panel.

Kits EFM

E	5	X	X	X	X	0	0	X	X	X	X	
Code	Internal code								↑	↑	↑	↑
									0	1	2	3
Current transformers									MC3-63A	MC3-125A	MC3-250A	MC1-20-150/200/250
									MC1-30-250/400/500	MC1-55-500/1000/1500	MC1-80-1000/1500/2000	
									CDP-0	CDP-G		
									CDP CB S-1-1-1-16-30 (compatible with Kits EFM-CDP 1.5, 2.5)	CDP CB S-1-1-1-16-300 (compatible with Kits EFM-CDP 1.5, 2.5)	CDP CB S-2-1-1-25-30 (compatible with Kits EFM-CDP 5-S)	CDP CB S-2-1-1-25-300 (compatible with Kits EFM-CDP 5-S)
									CDP CB T-2-2-1-25-300 (compatible with Kits EFM-CDP 5-S-T, 5-S-PRO-T, 6-S)	CDP CB T-0-0-1-25-300 + CDP SB 4-2-2 (compatible with Kits EFM-CDP 8, 10)	CDP CB T-0-0-2-25-300 + CDP SB 4-2-2 (compatible with Kits EFM-CDP 20, 24)	CDP CB T-0-0-3-25-300 + CDP SB 4-2-2 (compatible with Kits EFM-CDP 30)
Electrical Panels									CDP CB C-0-0-3-25-300 + CDP SB 2-1-1 (compatible with Kits CDP 15)	CDP CB C-1-3-3-16-300 (compatible with kit EFM-CDP 4,5, 6, 7,5)	CDP CB T-0-0-2-40-300 + CDP SB 4-2-2 (compatible with Kits CDP 40)	CDP CB T-0-0-3-40-300 + CDP SB 4-2-2 (compatible with Kits CDP 60)
									CDP CB C-0-0-4-40-300 + CDP SB 4-2-2 (compatible with Kits CDP 80)	CDP CB C-0-0-5-40-300 + CDP SB 4-2-2 (compatible with Kits CDP 100-M-PRO)		
									Kit CDP 100			

PVing PARKS, solar canopy kits for instantaneous self-consumption with no grid injection



MP2 type (Single)	Code	PV power (Wp)	Spaces	Network type	Dimensions (width x height x depth)	Inverter	Weight (kg)
EFM-PVing PARK C2PS-BC	[c] E6K200	3750	2	3x230/400 V - Three-phase	3,72 x 4,83 x 5 m	1 x 3,7 kW	1350
EFM-PVing PARK C2PS-MT	[c] E6K201	3750	2	3x230/400 V - Three-phase	3,72 x 4,83 x 5 m	1 x 3,7 kW	1350
EFM-PVing PARK C2PS-WB	[c] E6K211	3750	2	3x230/400 V - Three-phase	3,72 x 4,83 x 5 m	1 x 3,7 kW	1350
EFM-PVing PARK C2PS-RVE2	[c] E6K262	3750	2	3x230/400 V - Three-phase	3,72 x 4,83 x 5 m	1 x 3,7 kW	1350
EFM-PVing PARK C3PS-BC	[c] E6K300	6000	3	3x230/400 V - Three-phase	3,72 x 4,83 x 8 m	1 x 5,0 kW	1600
EFM-PVing PARK C3PS-MT	[c] E6K301	6000	3	3x230/400 V - Three-phase	3,72 x 4,83 x 8 m	1 x 5,0 kW	1600
EFM-PVing PARK C3PS-WB	[c] E6K311	6000	3	3x230/400 V - Three-phase	3,72 x 4,83 x 8 m	1 x 5,0 kW	1600
EFM-PVing PARK C3PS-RVE2	[c] E6K362	6000	3	3x230/400 V - Three-phase	3,72 x 4,83 x 8 m	1 x 5,0 kW	1600
EFM-PVing PARK C4PS-BC	[c] E6K400	7500	4	3x230/400 V - Three-phase	3,72 x 4,83 x 10 m	1 x 7,0 kW	2200
EFM-PVing PARK C4PS-MT	[c] E6K401	7500	4	3x230/400 V - Three-phase	3,72 x 4,83 x 10 m	1 x 7,0 kW	2200
EFM-PVing PARK C4PS-WB	[c] E6K411	7500	4	3x230/400 V - Three-phase	3,72 x 4,83 x 10 m	1 x 7,0 kW	2200
EFM-PVing PARK C4PS-RVE2	[c] E6K462	7500	4	3x230/400 V - Three-phase	3,72 x 4,83 x 10 m	1 x 7,0 kW	2200
EFM-PVing PARK C6PS-BC	[c] E6K600	11250	6	3x230/400 V - Three-phase	3,72 x 4,83 x 15 m	1 x 10 kW	2700
EFM-PVing PARK C6PS-MT	[c] E6K601	11250	6	3x230/400 V - Three-phase	3,72 x 4,83 x 15 m	1 x 10 kW	2700
EFM-PVing PARK C6PS-WB	[c] E6K611	11250	6	3x230/400 V - Three-phase	3,72 x 4,83 x 15 m	1 x 10 kW	2700
EFM-PVing PARK C6PS-RVE2	[c] E6K662	11250	6	3x230/400 V - Three-phase	3,72 x 4,83 x 15 m	1 x 10 kW	2700
MP4 type (Double)							
EFM-PVing PARK C4PD-BC	[c] E6KA00	7500	4	3x230/400 V - Three-phase	3,72 x 4,83 x 5 m	1 x 7,0 kW	2492
EFM-PVing PARK C4PD-MT	[c] E6KA01	7500	4	3x230/400 V - Three-phase	3,72 x 4,83 x 5 m	1 x 7,0 kW	2492
EFM-PVing PARK C4PD-WB	[c] E6KA11	7500	4	3x230/400 V - Three-phase	3,72 x 4,83 x 5 m	1 x 7,0 kW	2492
EFM-PVing PARK C4PD-RVE2	[c] E6KA62	7500	4	3x230/400 V - Three-phase	3,72 x 4,83 x 5 m	1 x 7,0 kW	2492
EFM-PVing PARK C6PD-BC	[c] E6KB00	12000	6	3x230/400 V - Three-phase	3,72 x 4,83 x 8 m	1 x 10 kW	3015
EFM-PVing PARK C6PD-MT	[c] E6KB01	12000	6	3x230/400 V - Three-phase	3,72 x 4,83 x 8 m	1 x 10 kW	3015
EFM-PVing PARK C6PD-WB	[c] E6KB11	12000	6	3x230/400 V - Three-phase	3,72 x 4,83 x 8 m	1 x 10 kW	3015
EFM-PVing PARK C6PD-RVE2	[c] E6KB62	12000	6	3x230/400 V - Three-phase	3,72 x 4,83 x 8 m	1 x 10 kW	3015
EFM-PVing PARK C8PD-BC	[c] E6KC00	15000	8	3x230/400 V - Three-phase	3,72 x 4,83 x 10 m	1 x 15 kW	4254
EFM-PVing PARK C8PD-MT	[c] E6KC01	15000	8	3x230/400 V - Three-phase	3,72 x 4,83 x 10 m	1 x 15 kW	4254
EFM-PVing PARK C8PD-WB	[c] E6KC11	15000	8	3x230/400 V - Three-phase	3,72 x 4,83 x 10 m	1 x 15 kW	4254
EFM-PVing PARK C8PD-RVE2	[c] E6KC62	15000	8	3x230/400 V - Three-phase	3,72 x 4,83 x 10 m	1 x 15 kW	4254
EFM-PVing PARK C12PD-BC	[c] E6KD00	22500	12	3x230/400 V - Three-phase	3,72 x 4,83 x 15 m	1 x 20 kW	5275
EFM-PVing PARK C12PD-MT	[c] E6KD01	22500	12	3x230/400 V - Three-phase	3,72 x 4,83 x 15 m	1 x 20 kW	5275
EFM-PVing PARK C12PD-WB	[c] E6KD11	22500	12	3x230/400 V - Three-phase	3,72 x 4,83 x 15 m	1 x 20 kW	5275
EFM-PVing PARK C12PD-RVE2	[c] E6KD62	22500	12	3x230/400 V - Three-phase	3,72 x 4,83 x 15 m	1 x 20 kW	5275

Available options:

- Canopy structure colour and company logo marking
- Other options and configurations available upon request

Description of the different types of canopies:

- BC = Basic
- MT = Special EDS monitoring
- WB = Special EDS monitoring and RVE-WB-CP1 charging point
- RVE2 = Special Power Studio Scada Monitoring and external RVE2P charging point

Self-consumption with energy storage and grid connection

CirPower, Hybrid inverters with battery charging

NEW


Type	Code	System	Nominal power (kW)	Max/min input voltage (V _{dc} max/min)	Maximum input current	Rated AC voltage / frequency	Battery voltage	Maximum battery current (charg./discharg.)
CirPower HYB-4k-48	[c] E15311	1x230V Single-phase	4000 W	600 V / 150 V	20 A	230 V / 50 Hz	48 V	50 / 80 A

EFM-HYB CirPower, kits for systems with or without grid connection

Type	Code	Daily consumption (Wh/day)	PV power (Wp)	Battery (V / Ah)
EFM-HYB-25-100	[2] E7K111	8200	2500	48 / 150
EFM-HYB-35-100	[2] E7K121	11600	3500	48 / 150
EFM-HYB-40-130	[4] E7K132	12800	4000	48 / 300
EFM-HYB-50-130	[4] E7K142	15500	5000	48 / 300

- All the kits use the CIRCUTOR single-phase hybrid inverter with 1x230 V, 4 kW nominal power and 48 V battery voltage.
- All the kits include combiner box and string box (electrical panels in general) with protection and monitoring devices
- For other options or special needs, please contact with your commercial agent.
- All EFM-HYB Kits can be supplied without batteries, please contact us for more information.

Off-grid self-consumption systems

EFM-ISLAND, kits for off-grid self-consumption systems

Type	Code	Daily consumption (Wh/day)	Grid type (V)	PV power (Wp)	No. of elements	Battery (V / Ah)	Inverter nominal power (W)
EFM-ISLAND S-3000	[c] E4K394	3500	1x230	1500	12x2	24 / 575	3000
EFM-ISLAND S-3500	[c] E4K4C5	4500	1x230	2250	24x2	48 / 360	3500
EFM-ISLAND S-5000	[c] E4K5D6	6000	1x230	3000	24x2	48 / 575	5000
EFM-ISLAND S-7000	[c] E4K6E7	9000	1x230	4500	24x2	48 / 850	7000
EFM-ISLAND S-10000	[c] E4K7F8	12000	1x230	6000	24x2	48 / 1130	10000
EFM-ISLAND T-10500	[c] E4K8G8	13600	3x230/400	7500	24x2	48 / 1695	10500
EFM-ISLAND T-21000	[c] E4K9H9	27200	3x230/400	13500	24x2	48 / 2600	21000








- All Kits include all the components necessary for correct and safe operation of the installation
- la instalación
- The connection cables to be used between elements are not included

Check to request other configurations.

String Monitoring devices for photovoltaic systems

TR, String monitoring supervision devices

SERIE TR - Power supply 230 V_{ac} / 24 V_{dc}

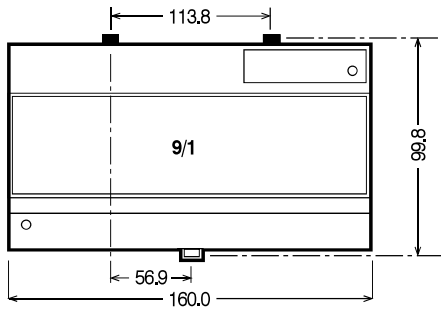
Type	Code	Current	Outputs	Communications		
	TR8-RS485-25 (*)	[*] E80000	25 A	8	RS-485 Modbus/RTU	8 channels, 25 Adc Connect up to 2 M/TR-25Ax4 (8 channels) 1000 Vdc voltage measurement 8 Voltage-free digital inputs
	TR8-RS485-100/200	[*] E80001	Depending transformer	8	RS-485 Modbus/RTU	8 channels, 100/200 Adc Connect up to 8 M/TR-100A or M/TR-200A 1 1000 Vdc voltage input 8 Voltage-free digital inputs
	TR16-RS485(*)	[*] E80002	configurable	16	RS-485 Modbus/RTU	16 configurable channels, 25/100/200 A 1000 Vdc voltage measurement Three voltage-free digital inputs 1 Pt100 / Pt1000 probe input 1 Input 0...20 mA
	M/TR-25 x2	[*] E80010	Measuring module for 2 current circuits. Maximum current: 25 Adc			
	M/TR-25 x4	[*] E80011	Measuring module for 4 current circuits. Maximum current 25 Adc			
	M/TR-100	[*] E80012	Measuring module for 1 current circuit. Maximum current 100 Adc			
	M/TR-200	[*] E80013	Measuring module for 1 current circuit. Maximum current: 200 Adc			

NOTE: Complete unit: 25 A TR8-RS485-25 (E80000) + (1 or 2) M/TR-25x4 (E80011)
 100 A TR8-RS485-100/200(E80001) + (1 ... 8) M/TR-100 (E80012)
 200 A TR8-RS485-100/200 (E80001) + (1 ... 8) M/TR-200 (E80013)

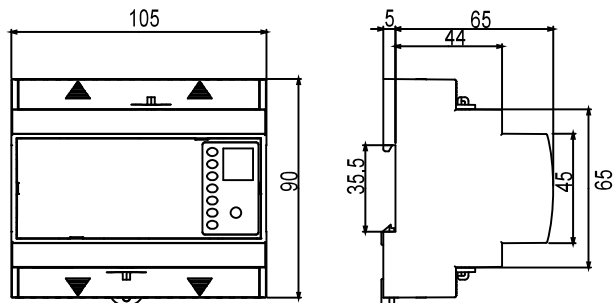
On demand, with UL Certification

Dimensions

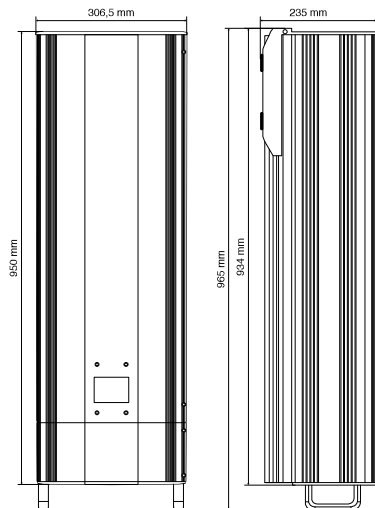
TR8 / TR16



CDP



CirPower



Delivery time: [*] immediate
 [x] working weeks
 [c] consult